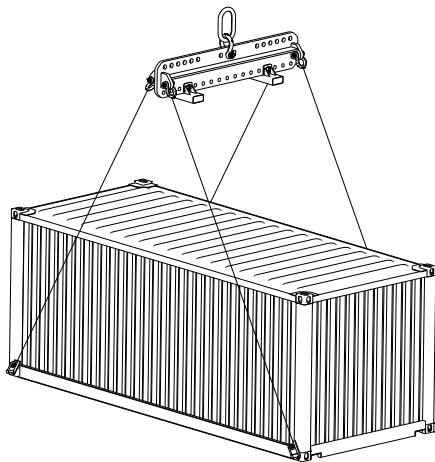


- Manufactured to exceed all ASME B30.20 and OSHA regulations.
 - Painted safety yellow for increased visibility.
 - Do not use with damaged, obsolete or rusted containers.
 - Do not exceed working load limit
 - Fork pockets used for beam transport only, not for lifting.
 - Made in U.S.A.
 - All rigging and shackles by others.
- User must determine if container is capable of being lifted with this device in the manner proposed.
 - **ALL** lifting equipment individually proof loaded per OSHA requirements and shipped with paperwork.

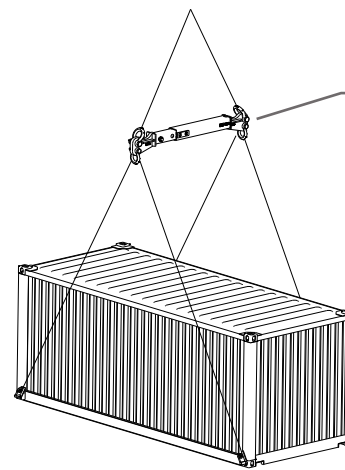
Prop 65 – See Page 112



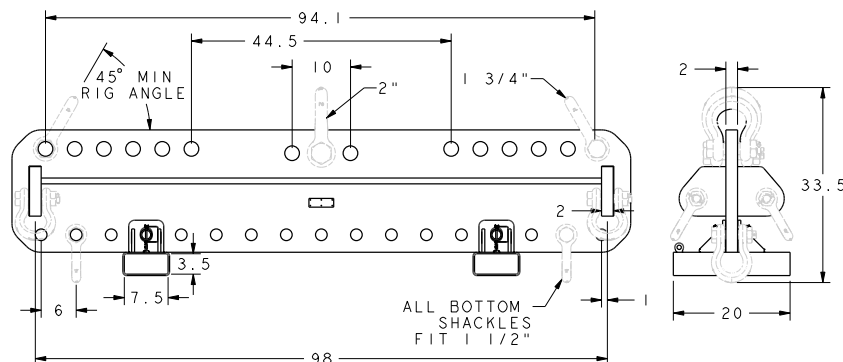
UNIVERSAL BEAM



ADJUSTABLE SPREADER



SEE PAGE 43 FOR SPREADER DETAILS



Description	Part Number	Working Load Limit in Pounds	Pick Points Outside Spread	Lower Shackles	Upper Shackles	Weight in Pounds
Universal Beam	25828	75,000	98"	1 1/2"	2", 1 3/4"	1950
Adjustable Spreader	20136	80,000	84"- 120"	2"	2"	700*
Lift Beam	22173	40,000/EA	60"- 120"	1 1/8"	N/A	1574