

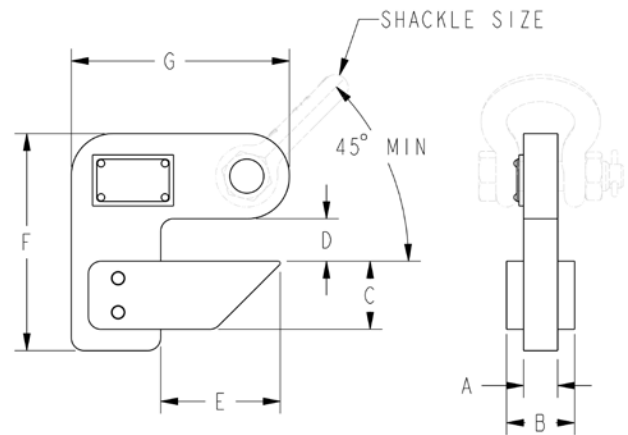
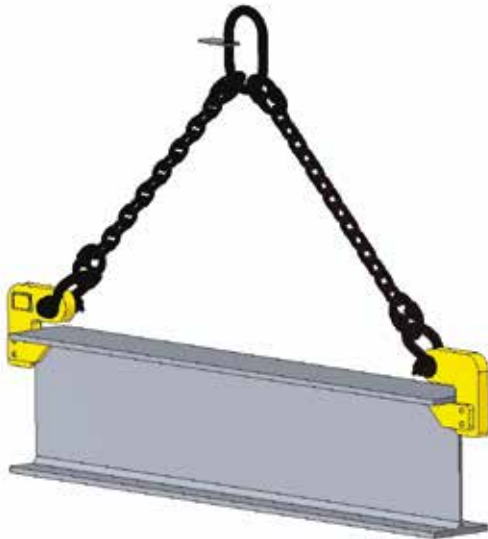
MATERIAL HANDLING

Load Hooks - Sold in Pairs



- Manufactured to exceed all ASME B30.20 and OSHA regulations.
- Painted safety red for increased visibility.
- Durable construction ideally suited to jobsite or warehouse use.
- Made in U.S.A.
- Shackles & Rigging not included.
- Custom designs available - call for engineering.
- **ALL** lifting equipment individually proof loaded per OSHA requirements.

 Prop 65 – See Page 112



| Working Load Limit in Pounds* | Part Number | A | B | C | D | E | F | G | Weight per Pair | Shackle Size |
|-------------------------------|--------------|-------|-------|------|------|-----|------|------|-----------------|--------------|
| 4,900 | 26215 | 0.625 | 1.375 | 1.5 | 1 | 2.5 | 4.88 | 4.88 | 4 LB | 1/2" |
| 10,000 | 26216 | 1 | 2 | 2 | 1.25 | 3.5 | 6.4 | 6.4 | 10 LB | 3/4" |
| 17,000 | 26217 | 1.25 | 2.5 | 2.25 | 1.5 | 3.3 | 7.5 | 7.5 | 16 LB | 7/8" |

* Sold in pairs / rated as pair.