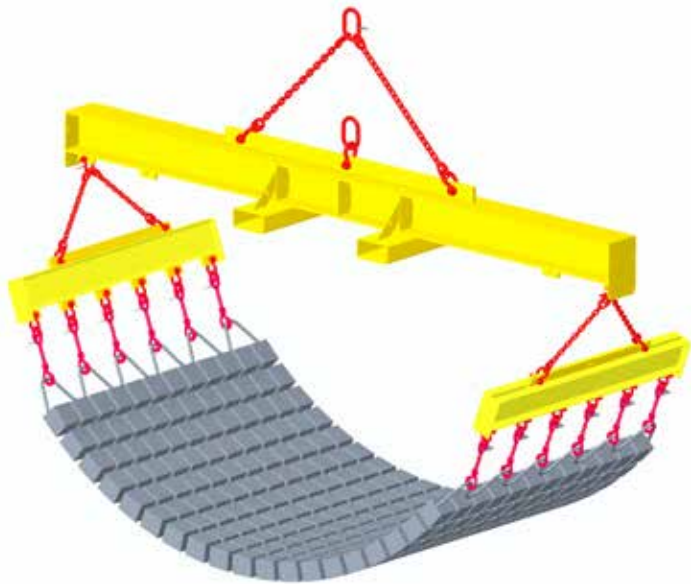


## LIFTING BEAMS

### Erosion Control Mat Lifting Beam

- Manufactured to exceed all ASME B30.20 and OSHA regulations.
- Painted safety yellow for increased visibility.
- **ALL** material handling equipment shipped with proof load certification paperwork.
- Durable construction ideally suited to jobsite or warehouse use.
- Check with manufacturer of your forklift for load capabilities.
- Made in U.S.A.
- Custom designs available - call for engineering.
- **ALL** lifting equipment individually proof loaded per OSHA requirements.
- Includes forklift retraining tabs.

Prop 65 – See Page 112



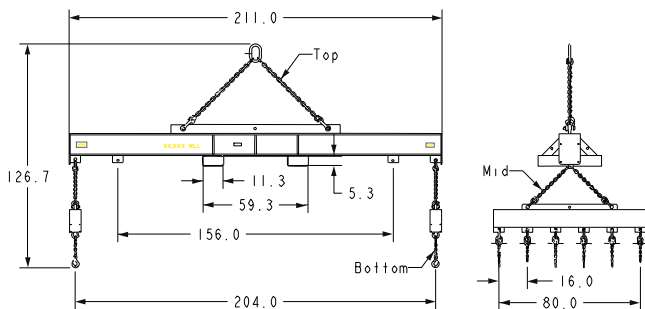
Part Number	Working Load Limit	Weight
26302*	20,000	3,125

\* Sold as low HR version.

#### OPTIONAL:

Part Number	Chain Sling	Size	Quantity	Weight
26381	Top	5/8"	1	60
26304	Mid	1/2"	2	30
26305	Bottom	3/8"	12	11

#### SHOWN WITH OPTIONAL CHAIN SLINGS



#### LOW HEAD ROOM VERSION

