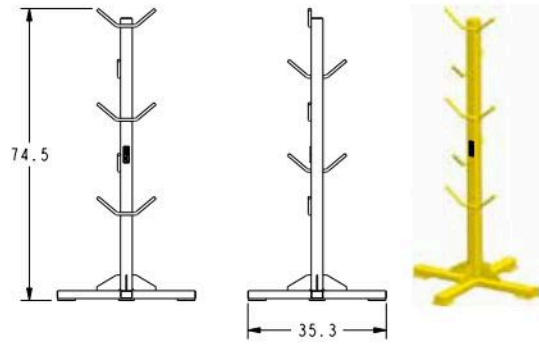


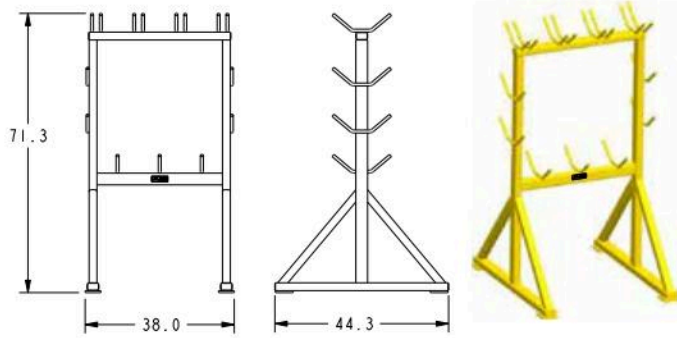
• Stands commonly used to organize and hang rigging, shackles & other slings off the floor

Prop 65 – See Page 112



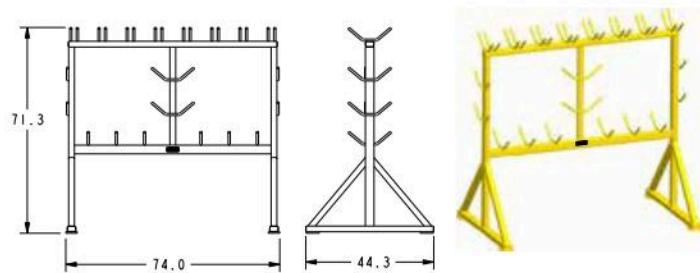
Part Number	Part Number with Casters	Capacity	Weight
23573	25049	300 LB	125

ANY SINGLE HOOK RATED AT 150 LBS



Part Number	Part Number with Casters	Capacity	Weight
23568	25050	500 LB	260

ANY SINGLE HOOK RATED AT 150 LBS

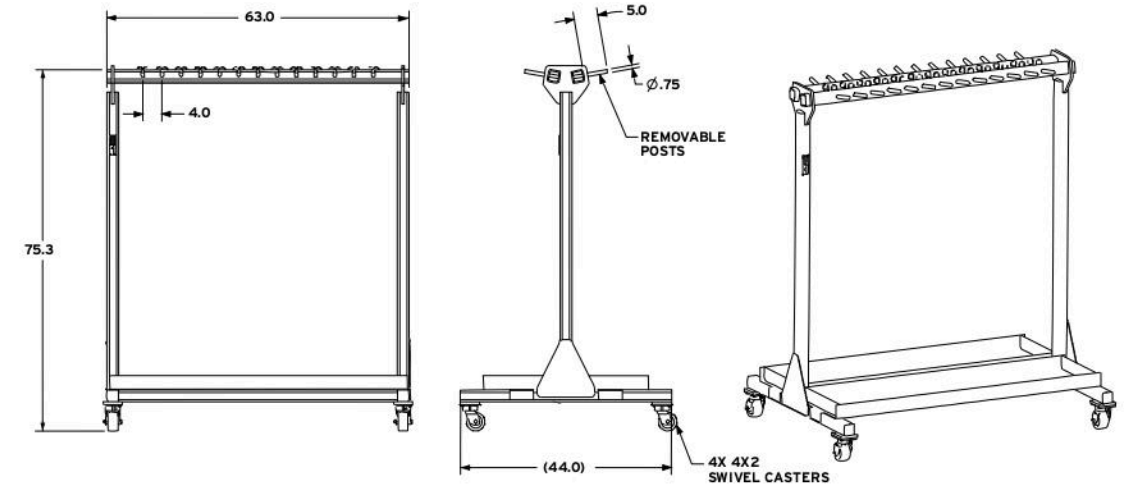


Part Number	Part Number with Casters	Capacity	Weight
23557	25051	800 LB	350

ANY SINGLE HOOK RATED AT 150 LBS



Part Number with Casters	Part Number	Number Pegs per Side	Capacity	Weight	Capacity per Peg in Pounds
26354	26341	13	800	470	150



Part Number with Casters	Part Number	Number Holders per Side	Capacity	Weight	Capacity per Peg in Pounds
26355	26342	5	800	500	150

